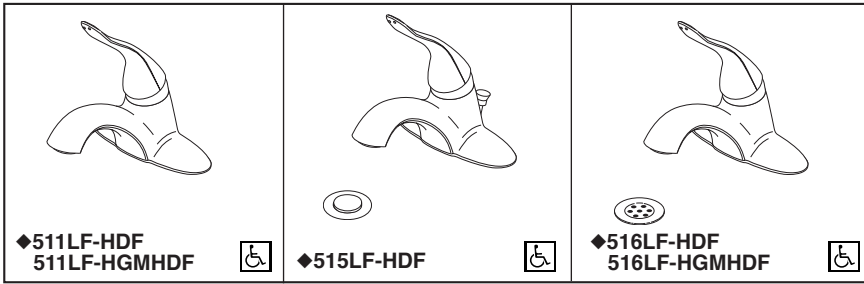




LAVATORY FAUCETS

Single Handle Deck Mount



Submitted Model No.: _____
 Specific Features: _____

STANDARD SPECIFICATIONS:

- Maximum 1.20 gpm @ 60 psi, 4.54 L/min @ 414 kPa
- HGM models only - maximum 0.50 gpm @ 60 psi, 1.90 L/min @ 414 kPa
- Two and three hole mount
- Diamond coated ceramic cartridge
- Vandal resistant 6" (152 mm) elbow handle. Red/blue indicator markings
- Adjustable handle limit stop
- Vandal resistant aerator or spray outlet
- 1/4" threaded mounting studs
- 3/8" O.D. copper supply tubes with 1/2"-14 NPSM adapters

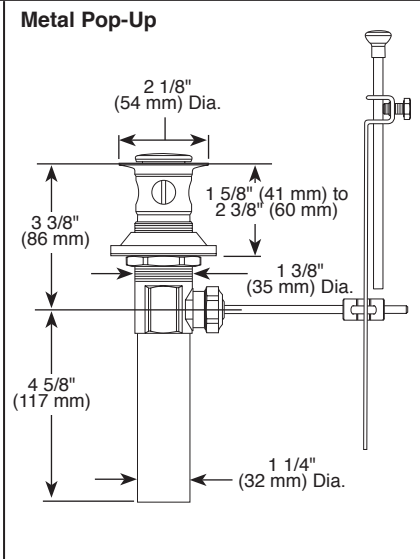
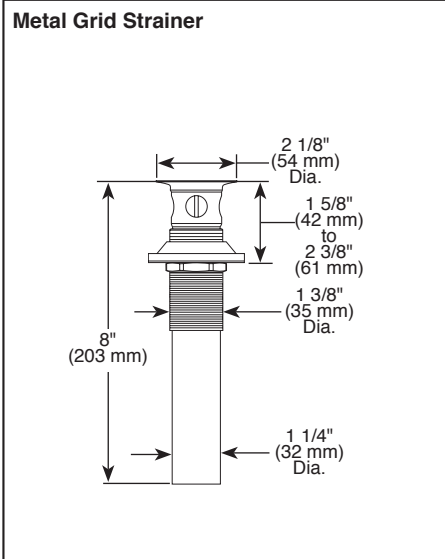
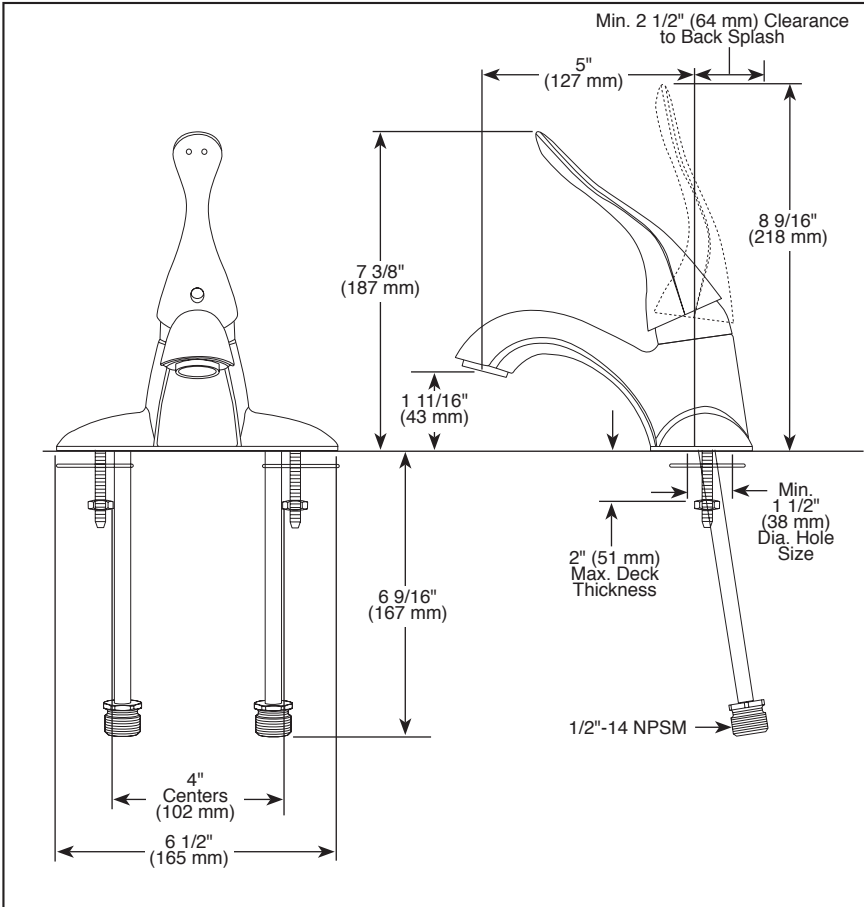
WARRANTY

- Lifetime limited warranty on parts (other than electronic parts and batteries) and finishes; or, for commercial users, for 5 years from date of purchase.
- 5 year limited warranty on electronic parts (other than batteries); or, for commercial users, for 1 year from the date of purchase. No warranty is provided on batteries.



COMPLIES WITH:

- ASME A112.18.1 / CSA B125.1
- ASME A112.18.2 / CSA B125.2
- Indicates compliance to ICC/ANSI A117.1
- EPA WaterSense® ◆=Only models as indicated.
- Verified compliant with .25% weighted average Pb content regulations.



Delta reserves the right (1) to make changes in specifications and materials, and (2) to change or discontinue models, both without notice or obligation. Dimensions are for reference only. See current full-line price book or www.deltafaucet.com for finish options and product availability.

DSP-L-511LF-WFHDF Rev. E



55 E. 111th Street, Indianapolis, Indiana 46280
 350 South Edgeware Road, St. Thomas, ON N5P 4L1
 © 2016 Masco Corporation of Indiana